

PARTS CATALOG

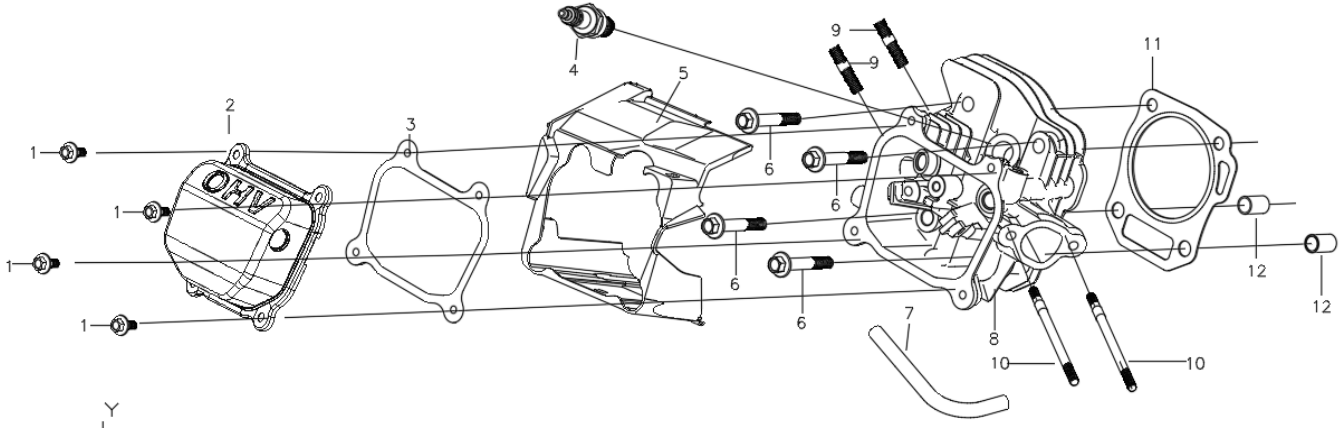
Model

ACCESS 4000 i

octobre 4, 2023 1:35 PM

ACCESS 4000 i

FIG.1 HEAD SUBASSEMBLY, CYLINDER / PLUG, SPARK (E04)

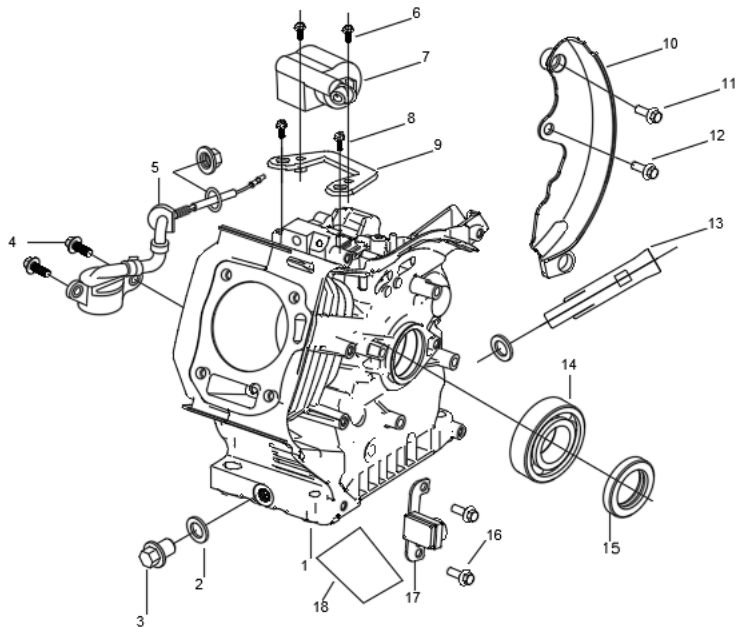


| REF.NO. | PARTNO | DESCRIPTION | Q'TY |
|---------|---------------|---------------------------------|------|
| E04-1 | G900106014010 | hexagon flange bolts | 4 |
| E04-2 | G1241E0301010 | Cylinder head cover combination | 1 |
| E04-3 | G1204E0301000 | Cylinder head cover gasket | 1 |
| E04-4 | G1567E0103000 | Spark plug | 1 |
| E04-5 | G1930E2102000 | Cylinder air hood | 1 |
| E04-6 | G91010806009A | bolts | 4 |
| E04-7 | G1703E0105000 | Exhaust pipe | 1 |
| E04-8 | G1214E0301000 | Cylinder head combination | 1 |
| E04-9 | G910308034010 | studs | 2 |
| E04-10 | G900306092010 | studs | 2 |
| E04-11 | G1230E0102000 | Cylinder head gasket | 1 |
| E04-12 | G905110014000 | Positioning pin | 2 |
| | | | |
| | | | |
| | | | |
| | | | |
| | | | |
| | | | |
| | | | |
| | | | |
| | | | |
| | | | |
| | | | |
| | | | |
| | | | |
| | | | |
| | | | |
| | | | |
| | | | |
| | | | |
| | | | |
| | | | |
| | | | |
| | | | |



ACCESS 4000 i

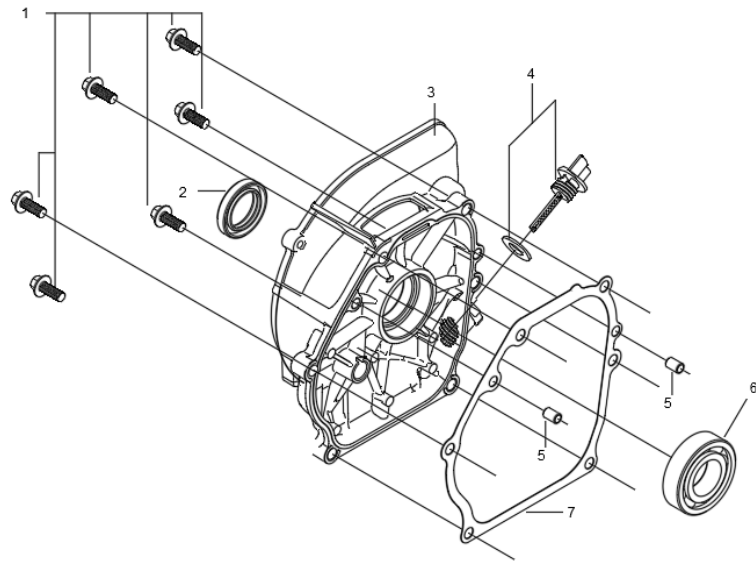
FIG.2 CRANKCASE. / GEAR ASSY, GOVERNOR. (E17)



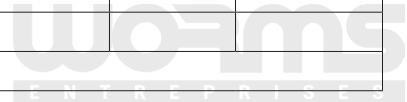
| REF.NO. | PARTNO | DESCRIPTION | Q'TY |
|---------|---------------|--------------------------|------|
| E17-1 | G1131E2101000 | Crankcase combination | 1 |
| E17-2 | G9041E0101000 | Flat washer-Class A | 2 |
| E17-3 | G910110015010 | bolts (oil drain bolts) | 1 |
| E17-4 | G900106014010 | hexagon flange bolts | 2 |
| E17-5 | G1536E0301000 | Oil sensor | 1 |
| E17-6 | G900105020010 | hexagon flange bolts | 2 |
| E17-7 | G1506E2101000 | Ignition coils | 1 |
| E17-8 | G900108016010 | hexagon flange bolts | 2 |
| E17-9 | G1515E2101000 | Ignition coil bracket | 1 |
| E17-10 | G1932E2101H20 | Rear guard | 1 |
| E17-11 | G900106020010 | hexagon flange bolts | 1 |
| E17-12 | G900106016010 | hexagon flange bolts | 1 |
| E17-13 | G9063E2101000 | Oil drain | 1 |
| E17-14 | G905462056000 | Deep groove ball bearing | 1 |
| E17-15 | G9065E0101000 | Oil seal | 1 |
| E17-16 | G900106012010 | hexagon flange bolts | 2 |
| E17-17 | G1508E2101000 | Trigger combination | 1 |
| E17-18 | G1805E2111000 | Insulation cotton | 1 |
| | | | |
| | | | |
| | | | |
| | | | |
| | | | |
| | | | |

ACCESS 4000 i

FIG.3 COVER SUBASSEMBLY, CRANKCASE (E01)

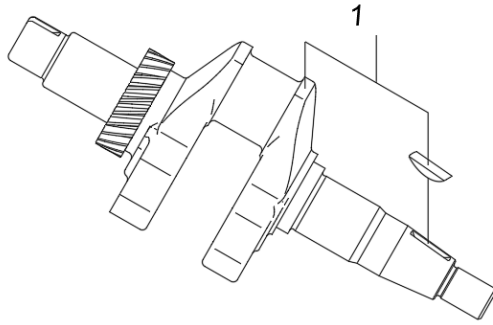


| REF.NO. | PARTNO | DESCRIPTION | Q'TY |
|---------|---------------|--------------------------|------|
| E01-1 | G900108032010 | hexagon flange bolts | 6 |
| E01-2 | G9065E0101000 | Oil seal | 1 |
| E01-3 | G1141E2101000 | Crankcase cover | 1 |
| E01-4 | G1501E0101110 | Oil dipstick combination | 1 |
| E01-5 | G905108012000 | Positioning pin | 2 |
| E01-6 | G905462056000 | Deep groove ball bearing | 1 |
| E01-7 | G1101E0301000 | Crankcase gasket | 1 |
| | | | |
| | | | |
| | | | |
| | | | |
| | | | |
| | | | |
| | | | |
| | | | |
| | | | |
| | | | |
| | | | |
| | | | |
| | | | |
| | | | |
| | | | |
| | | | |
| | | | |
| | | | |



ACCESS 4000 i

FIG.4 CRANKSHAFT CONNETING (E03)

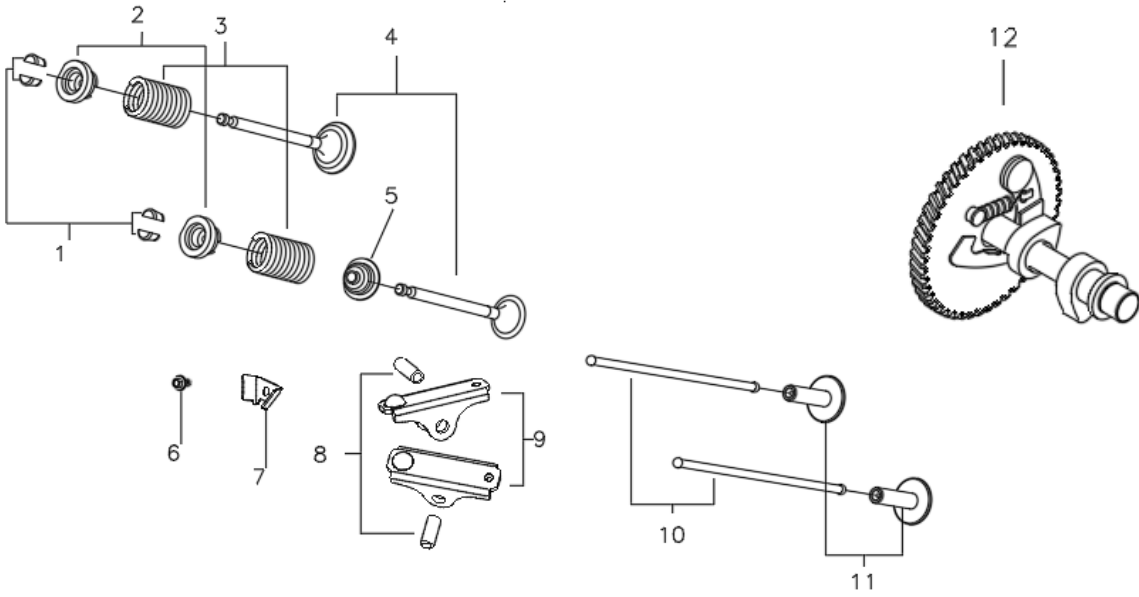


| REF.NO. | PARTNO | DESCRIPTION | Q'TY |
|---------|---------------|-----------------------|------|
| E03-1 | G1330E2102000 | Crankshaft components | 1 |
| | | | |
| | | | |
| | | | |
| | | | |
| | | | |
| | | | |
| | | | |
| | | | |
| | | | |
| | | | |
| | | | |
| | | | |
| | | | |
| | | | |
| | | | |
| | | | |
| | | | |
| | | | |
| | | | |
| | | | |



ACCESS 4000 i

FIG.6 TRAIN,VALVE / CAMSHAFT SUBASSEMBLY (E05)

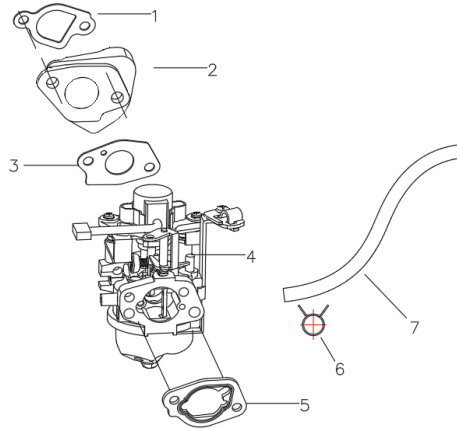


| REF.NO. | PARTNO | DESCRIPTION | Q'TY |
|---------|---------------|--------------------------------|------|
| E05-1 | G1209E0101000 | Valve lock clip | 4 |
| E05-2 | G1212E0101000 | Valve spring seat | 2 |
| E05-3 | G1213E0101000 | Valve spring | 2 |
| E05-4 | G1220E0301000 | Valve assembly | 1 |
| E05-5 | G1211E0101000 | Oil shield | 1 |
| E05-6 | G900106012010 | hexagon flange bolts | 1 |
| E05-7 | G1434E0301000 | Rocker shaft limit block | 1 |
| E05-8 | G1432E0301000 | Valve rocker shaft combination | 2 |
| E05-9 | G1431E0301000 | Valve rocker | 2 |
| E05-10 | G1470E0301000 | Valve lifter | 2 |
| E05-11 | G1481E0101000 | Valve tappet | 2 |
| E05-12 | G1420E0301000 | Camshaft parts | 1 |
| | | | |
| | | | |
| | | | |
| | | | |
| | | | |
| | | | |
| | | | |
| | | | |
| | | | |
| | | | |
| | | | |
| | | | |
| | | | |
| | | | |
| | | | |
| | | | |
| | | | |
| | | | |
| | | | |
| | | | |



ACCESS 4000 i

FIG.8 CARBURETOR ASSY. (E11)

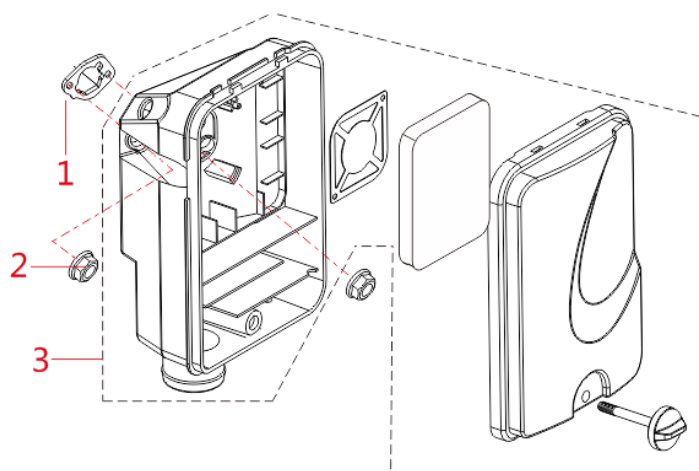


| REF.NO. | PARTNO | DESCRIPTION | Q'TY | |
|---------|---------------|----------------------------------|------|--|
| E11-1 | G1702E0301000 | Air inlet seal | 1 | |
| E11-2 | G1603E2101000 | Carburetor heat insulation board | 1 | |
| E11-3 | G1601E0101000 | Carburetor gasket | 1 | |
| E11-4 | G1610E0315000 | Carburetor assembly | 1 | |
| E11-5 | G1701E0101000 | Air filter gasket | 1 | |
| E11-6 | G9068E0104000 | Tubing | 2 | |
| E11-7 | G9067E0101010 | Pipe clamp | 1 | |
| | | | | |
| | | | | |
| | | | | |
| | | | | |
| | | | | |
| | | | | |
| | | | | |
| | | | | |
| | | | | |
| | | | | |
| | | | | |
| | | | | |
| | | | | |
| | | | | |
| | | | | |
| | | | | |
| | | | | |
| | | | | |
| | | | | |
| | | | | |
| | | | | |
| | | | | |
| | | | | |
| | | | | |
| | | | | |
| | | | | |
| | | | | |
| | | | | |
| | | | | |
| | | | | |



ACCESS 4000 i

FIG.9 CLEANER, AIR (F02)

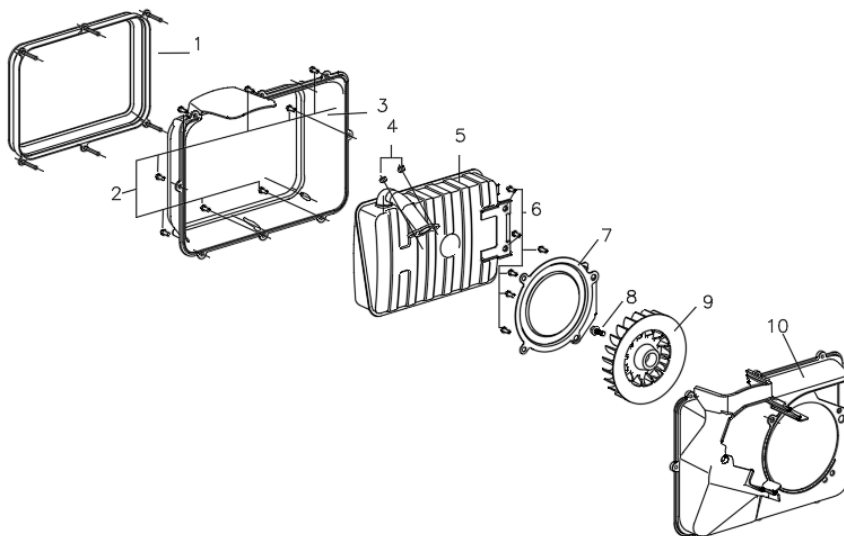


| REF.NO. | PARTNO | DESCRIPTION | Q'TY |
|---------|---------------|---------------------|------|
| F02-1 | G1701E0101000 | Air filter gasket | 1 |
| F02-2 | G900406000011 | Hexagon flange nut | 2 |
| F02-3 | G1710E2101000 | Air filter assembly | 1 |
| | | | |
| | | | |
| | | | |
| | | | |
| | | | |
| | | | |
| | | | |
| | | | |
| | | | |
| | | | |
| | | | |
| | | | |
| | | | |
| | | | |
| | | | |
| | | | |
| | | | |
| | | | |
| | | | |
| | | | |
| | | | |
| | | | |
| | | | |
| | | | |
| | | | |
| | | | |
| | | | |



ACCESS 4000 i

FIG.10 MUFFLER ASSY. (F04)

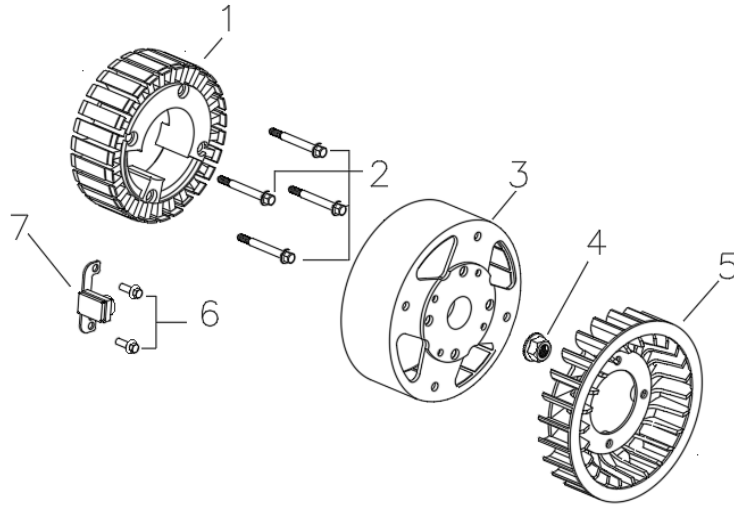


| REF.NO. | PARTNO | DESCRIPTION | Q'TY | |
|---------|---------------|--|------|--|
| F04-1 | G1826E2101000 | Hood seal | 1 | |
| F04-2 | G901648016010 | Cross recessed pan head tapping screws | 8 | |
| F04-3 | G2811E2101000 | Wind shield | 1 | |
| F04-4 | G900508000010 | Type 1 hexagon nut | 2 | |
| F04-5 | G1810E2101000 | Muffler assembly | 1 | |
| F04-6 | G900106014010 | Standard hexagon flange bolts (small head) | 6 | |
| F04-7 | G1142E2102010 | Cover | 1 | |
| F04-8 | G900106016010 | Standard hexagon flange bolts | 1 | |
| F04-9 | G1935E2102000 | impeller | 1 | |
| F04-10 | G1803E2101000 | Muffler insulation board | 1 | |
| | | | | |
| | | | | |
| | | | | |
| | | | | |
| | | | | |
| | | | | |
| | | | | |
| | | | | |
| | | | | |
| | | | | |
| | | | | |
| | | | | |
| | | | | |
| | | | | |
| | | | | |
| | | | | |
| | | | | |
| | | | | |
| | | | | |



ACCESS 4000 i

FIG.11 FLYWHEEL / IMPELLER / STARTER PULLEY / IGNITION COIL (E15)

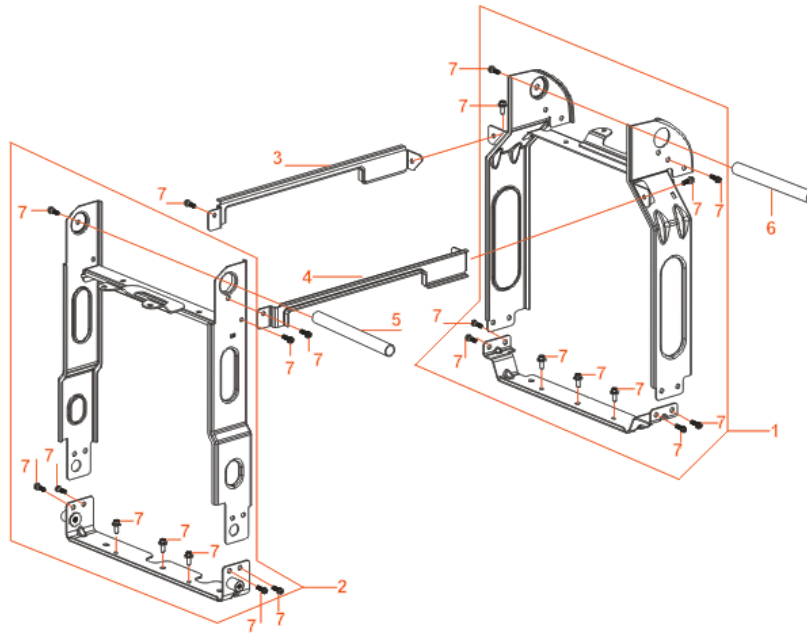


| REF.NO. | PARTNO | DESCRIPTION | Q'TY |
|---------|---------------|--|------|
| E15-1 | G3293E2101000 | Magneto stator | 1 |
| E15-2 | G911306060010 | Standard hexagon bolts with round head | 4 |
| E15-3 | G3292E2101000 | Magneto rotor | 1 |
| E15-4 | G910214000010 | Non-standard nut (flywheel nut) | 1 |
| E15-5 | G1935E2102000 | impeller | 1 |
| E15-6 | G900106014010 | Standard hexagon flange bolts | 2 |
| E15-7 | G1508E2101000 | Trigger combination | 1 |
| | | | |
| | | | |
| | | | |
| | | | |
| | | | |
| | | | |
| | | | |
| | | | |
| | | | |
| | | | |
| | | | |
| | | | |
| | | | |
| | | | |
| | | | |
| | | | |
| | | | |
| | | | |
| | | | |
| | | | |



ACCESS 4000 i

FIG.12 FRAME

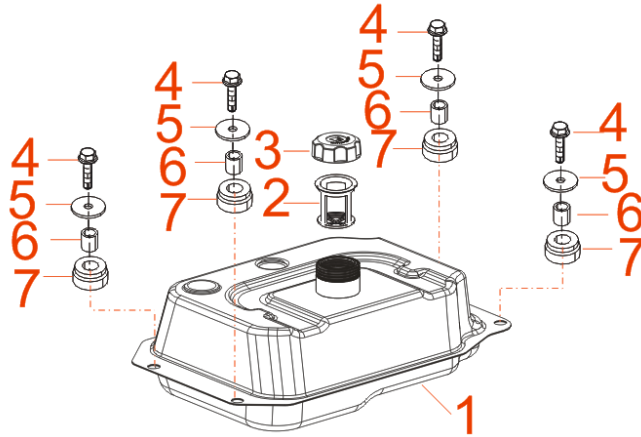


| REF.NO. | PARTNO | DESCRIPTION | Q'TY | |
|---------|---------------|------------------|------|--|
| 1 | G3616G1402000 | RACK PARTS,REAR | 1 | |
| 2 | G3616G1401000 | RACK PARTS,FRONT | 1 | |
| 3 | G1144G1401000 | CONNECTION PLATE | 1 | |
| 4 | G1144G1402000 | CONNECTION PLATE | 1 | |
| 5 | G3618G1401000 | HANDLE | 1 | |
| 6 | G3618G1402000 | HANDLE | 1 | |
| 7 | G900106012010 | BOLT | 22 | |
| | | | | |
| | | | | |
| | | | | |
| | | | | |
| | | | | |
| | | | | |
| | | | | |
| | | | | |
| | | | | |
| | | | | |
| | | | | |
| | | | | |
| | | | | |
| | | | | |
| | | | | |
| | | | | |
| | | | | |



ACCESS 4000 i

FIG.13 TANK, FUEL

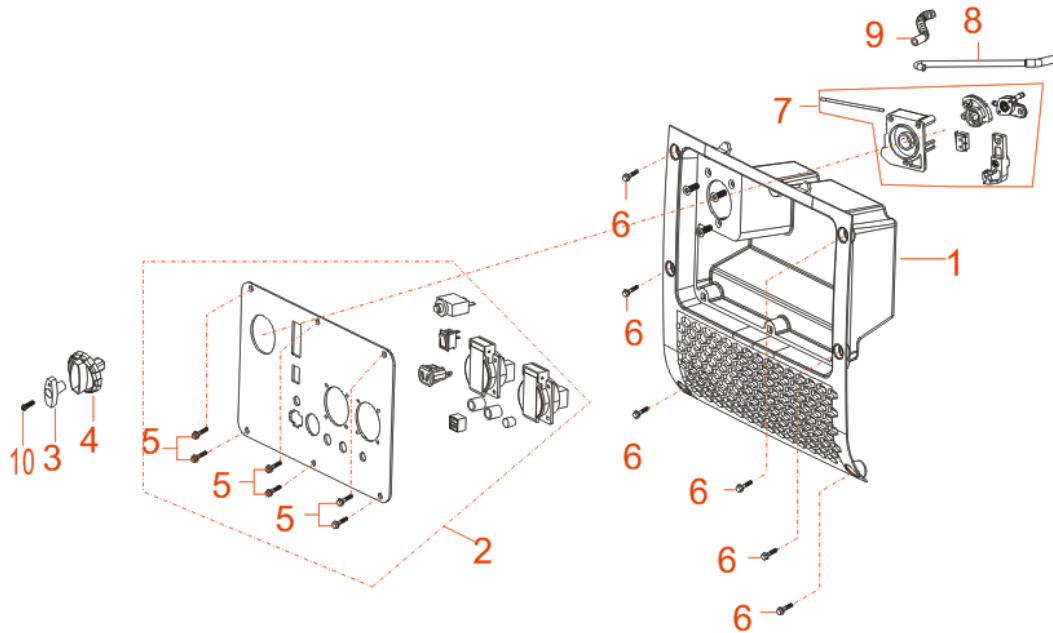


| REF.NO. | PARTNO | DESCRIPTION | Q'TY |
|---------|---------------|---------------------------------|------|
| 1 | G1679G1403H20 | TANK, FUEL | 1 |
| 2 | G1696G1401000 | FUEL FILTER | 1 |
| 3 | G1685G1401000 | FUEL CUP | 1 |
| 4 | G900106025040 | BOLT | 4 |
| 5 | G904106000040 | FLAT WASHERS | 4 |
| 6 | G9069G0101010 | BUSH | 4 |
| 7 | G3001G0101000 | FUEL TANK SUPPORT RUBBER SLEEVE | 4 |
| | | | |
| | | | |
| | | | |
| | | | |
| | | | |
| | | | |
| | | | |
| | | | |
| | | | |
| | | | |
| | | | |
| | | | |
| | | | |
| | | | |
| | | | |
| | | | |
| | | | |



ACCESS 4000 i

FIG.14

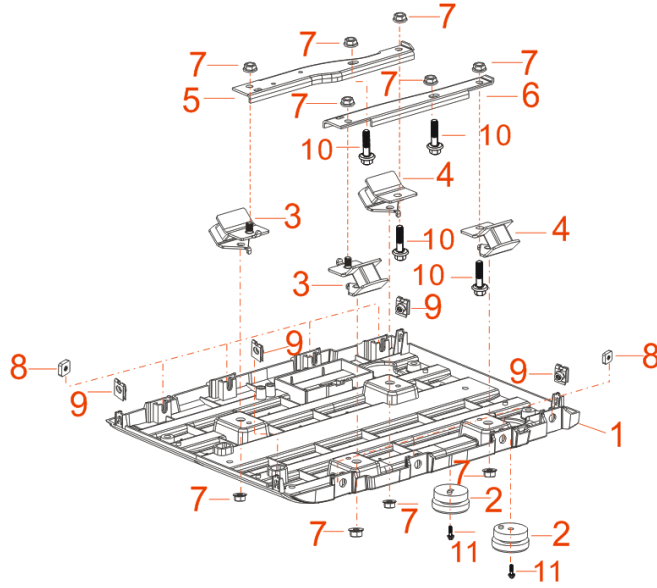


| REF.NO. | PARTNO | DESCRIPTION | Q'TY | |
|---------|---------------|--|------|--|
| 1 | G3570G14E4H20 | CONTROL PANEL .ASSY | 1 | |
| 2 | G3590G1401000 | PANEL HOLDER | 1 | |
| 5 | G901505012040 | CROSS GROOVED SMALL DISC HEAD SCREW & FLAT WASHER | 6 | |
| 4 | G3575G3201000 | Knob | 1 | |
| 6 | G9101G1304000 | BOLT | 6 | |
| 7 | G1521G1405H20 | SWITCH ASSY | 1 | |
| 8 | G9068G1401000 | TUBE, FUEL | 1 | |
| 9 | G9068G1402000 | TUBE, FUEL | 1 | |
| 10 | G900904020010 | Screw | 1 | |
| | | | | |
| | | | | |
| | | | | |
| | | | | |
| | | | | |
| | | | | |
| | | | | |
| | | | | |
| | | | | |
| | | | | |
| | | | | |
| | | | | |
| | | | | |
| | | | | |
| | | | | |
| | | | | |
| | | | | |
| | | | | |
| | | | | |



ACCESS 4000 i

FIG.16

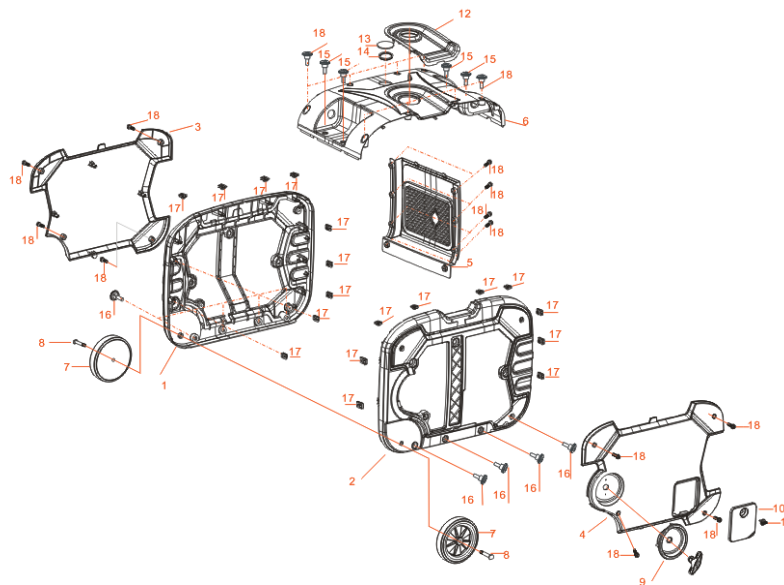


| REF.NO. | PARTNO | DESCRIPTION | Q'TY |
|---------|---------------|----------------------|------|
| 1 | G3227G1401000 | BASEPLATE | 1 |
| 2 | G3613G1401000 | SEAT,FRAME | 2 |
| 3 | G3612G1401000 | SEAT,FRAME,LEFT | 2 |
| 4 | G3611G1401000 | SEAT,FRAME,RIGHT | 2 |
| 5 | G3641G1401000 | ENGINE support_left | 1 |
| 6 | G3641G1402000 | ENGINE support_right | 1 |
| 7 | G900408000010 | Nut | 10 |
| 8 | G9013G1301010 | NUT | 6 |
| 9 | G9014G1301010 | NUT | 4 |
| 10 | G900108040010 | BOLT | 4 |
| 11 | G900106016010 | BOLT | 2 |



ACCESS 4000 i

FIG.17

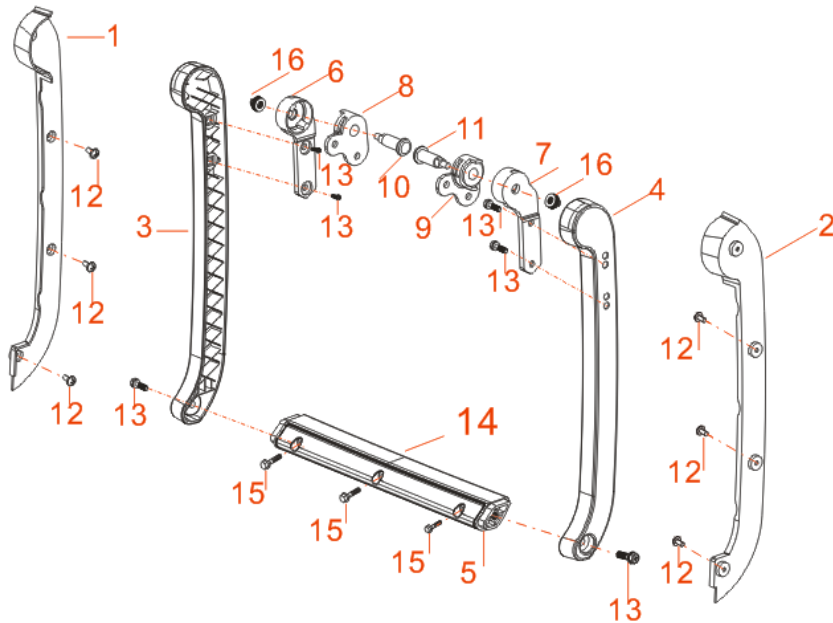


| REF.NO. | PARTNO | DESCRIPTION | Q'TY | |
|---------|---------------|------------------------------------|------|--|
| 1 | G3229G1401000 | LEFT SHELL | 1 | |
| 2 | G3234G1401000 | RIGHT SHELL | 1 | |
| 3 | G3240G1401HC0 | LEFT EXTERIOR COVER | 1 | |
| 4 | G3246G1401HC0 | RIGHT EXTERIOR COVER | 1 | |
| 5 | G3254G1401000 | SILENCER SIDE COVER | 1 | |
| 6 | G1142G1401000 | COVER,UPPPER | 1 | |
| 7 | G3633G1401000 | FRONT WHEEL | 2 | |
| 8 | G3631G1401040 | AXLE | 2 | |
| 9 | G3245G1401000 | DECORATIVE BOARD_LEFT | 1 | |
| 10 | G1142G1402HC0 | COVER | 1 | |
| 11 | G3575G1401000 | KNOB | 1 | |
| 12 | G3215G1401000 | OIL INJECTION NOZZLE RUBBER SLEEVE | 1 | |
| 13 | G3253G1301000 | OIL-MARKED GLASS WINDOW | 1 | |
| 14 | G3043G1301000 | RUBBER SHEATH | 1 | |
| 15 | G900106012010 | BOLT | 4 | |
| 16 | G9101G1301000 | BOLT | 8 | |
| 17 | G9014G1301010 | NUT | 18 | |
| 18 | G9101G1304000 | BOLT | 28 | |
| | | | | |
| | | | | |
| | | | | |
| | | | | |
| | | | | |
| | | | | |
| | | | | |
| | | | | |
| | | | | |
| | | | | |
| | | | | |
| | | | | |
| | | | | |



ACCESS 4000 i

FIG.18 HANDEL



| REF.NO. | PARTNO | DESCRIPTION | Q'TY | |
|---------|---------------|---------------------------|------|--|
| 1 | G3023G1401000 | SHELL BAFFLE.LEFT | 1 | |
| 2 | G3023G1402000 | SHELL BAFFLE,RIGHT | 1 | |
| 3 | G3116G1401000 | SWING ARM_LEFT | 1 | |
| 4 | G3116G1402000 | SWING ARM_RIGHT | 1 | |
| 5 | G3116G1403000 | SWING BEAM_FRONT | 1 | |
| 6 | G9076G1401000 | BAYONET LOCK | 1 | |
| 7 | G9076G1402000 | BAYONET LOCK | 1 | |
| 8 | G3627G1401000 | BAYONET BUCKS | 1 | |
| 9 | G3627G1402000 | BAYONET BUCKS | 1 | |
| 10 | G3616G1401000 | FRAME PARTS (FRONT FRAME) | 1 | |
| 11 | G3616G1402000 | FRAME PARTS (REAR FRAME) | 1 | |
| 12 | G901004016010 | SCREW | 6 | |
| 13 | G900106012010 | BOLT | 9 | |
| 14 | G3116G1404000 | SWING BEAM_REAR | 1 | |
| 15 | G9011G0101040 | SCREW | 3 | |
| 16 | G363506000010 | Nylon nut | 2 | |
| | | | | |
| | | | | |
| | | | | |
| | | | | |
| | | | | |
| | | | | |
| | | | | |
| | | | | |
| | | | | |



www.wormsentreprises.com



ZAC de Lamirault
39 rue de Lamirault, 77090 Collégien, FRANCE
TEL. +33 (0) 1 64 76 29 50
FAX +33 (0) 1 64 76 29 99

Service SAV et Garantie
After Sales and Warranty Service
TEL. +33 (0) 1 64 76 29 80
FAX +33 (0) 1 64 76 29 88