

PARTS CATALOG

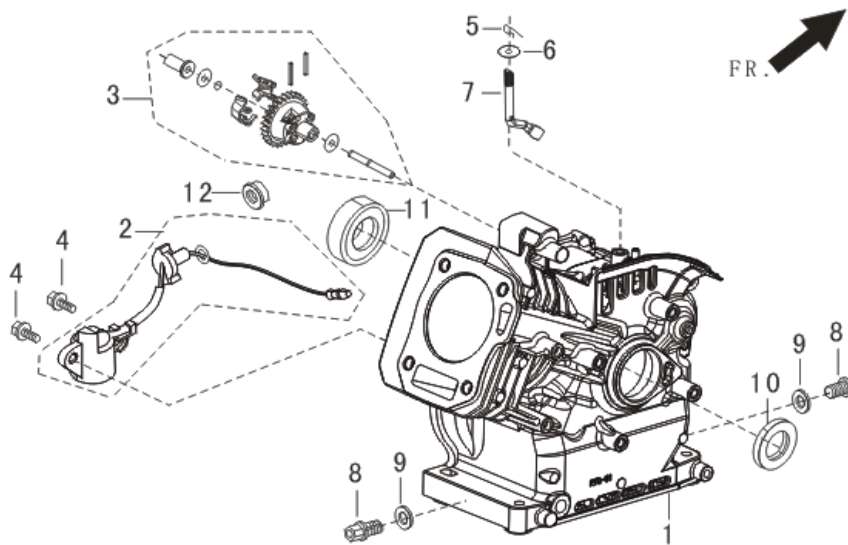
Model

ACCESS 2200 XL

août 13, 2024 12:22 PM

ACCESS 2200 XL

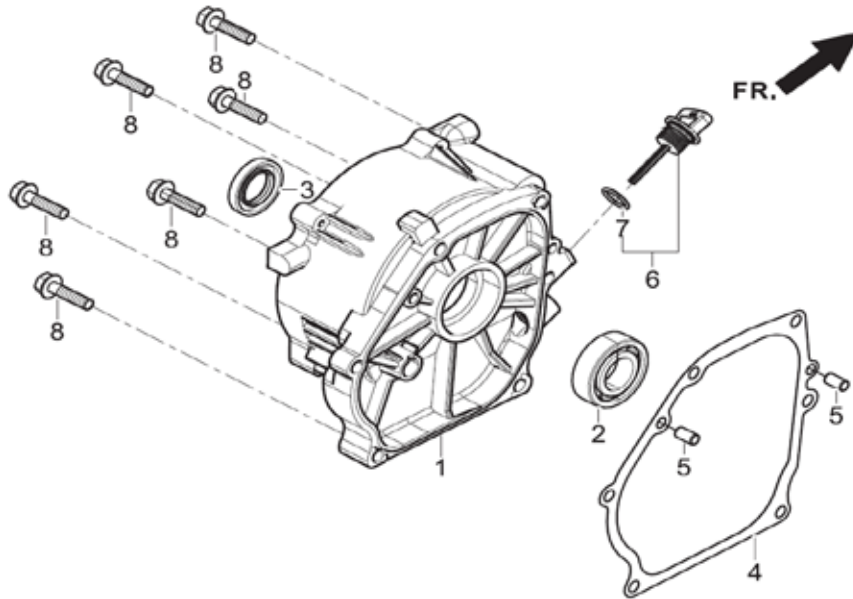
FIG.1 CRANKCASE. / GEAR ASSY, GOVERNOR. (E01)



REF.NO.	PARTNO	DESCRIPTION	Q'TY	
E01-1	11310-Z531010-00A9	CRANKCASE SUBASSEMBLY.	1	
E01-2	37060-Z010120-00A0	SENSOR, ENGINE OIL	1	
E01-3	16400-Z0X0110-00A0	GEAR ASSY, GOVERNOR	1	
E01-4	90001-0614-01A0	BOLT	2	
E01-5	90501-Z010110-00A0	PIN	1	
E01-6	90408-Z010210-00A0	WASHER, FLAT	1	
E01-7	16061-Z010110-00A0	ARM, GOVERNOR	1	
E01-8	11007-Z010110-00A0	BOLT, DRAIN PLUG	2	
E01-9	90408-Z010110-00A0	WASHER, FLAT	2	
E01-10	90682-Z300110-00A0	SEAL, OIL	1	
E01-11	90547-0205-CLA0	BEARIN, DEEP GROOVE BALL	1	
E01-12	90305-Z010210-01A0	NUT	1	

ACCESS 2200 XL

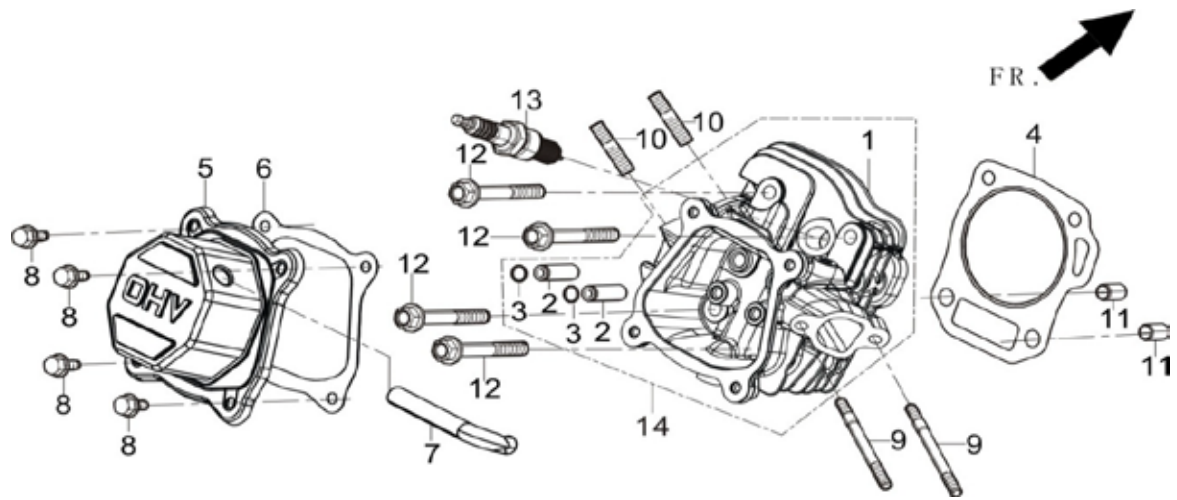
FIG.2 COVER SUBASSEMBLY, CRANKCASE (E02)



REF.NO.	PARTNO	DESCRIPTION	Q'TY	
E02-1	11411-Z530110-00A0	COVER, CRANKCASE	1	
E02-2	90547-0205-CLA0	BEARIN, DEEP GROOVE BALL	1	
E02-3	90682-Z300110-00A0	SEAL, OIL	1	
E02-4	11001-Z440110-00A0	GASKET, CRANKCASE	1	
E02-5	90502-0912-00A0	PIN	2	
E02-6	15010-Z010130-Q5A0	DIPSTICK SUBASSEMBLY, OIL	1	
E02-8	90001-0832-01A0	BOLT	6	

ACCESS 2200 XL

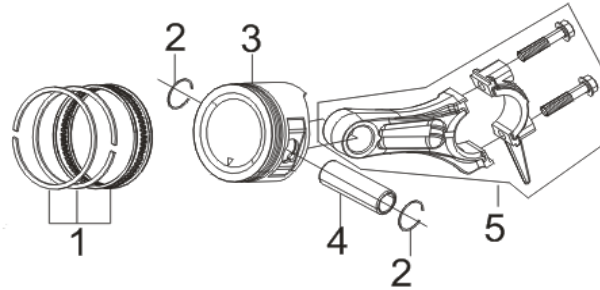
FIG.3 HEAD SUBASSEMBLY, CYLINDER / PLUG, SPARK (E03)



REF.NO.	PARTNO	DESCRIPTION	Q'TY
E03-4	12131-Z950110-00A0	GASKET, CYLINDER HEAD	1
E03-5	12410-Z440110-00A9	COVER SUBASSEMBLY, CYLINDER HEAD	1
E03-6	12004-Z440110-00A0	GASKET, CYLINDER HEAD COVER	1
E03-7	17004-Z430110-00A0	TUBE, BREATHER	1
E03-8	90001-0612-01A0	BOLT	4
E03-9	90204-Z010210-00A0	BOLT	2
E03-10	90203-Z010110-00A0	BOLT	2
E03-11	90502-1114-00A0	PIN	2
E03-12	12003-Z010110-00A0	BOLT, CYLINDER HEAD	4
E03-13	30010-Z010110-00A0	PLUG, SPARK	1
E03-14	12140-Z810210-00A0	HEAD SUBASSEMBLY, CYLINDER	1

ACCESS 2200 XL

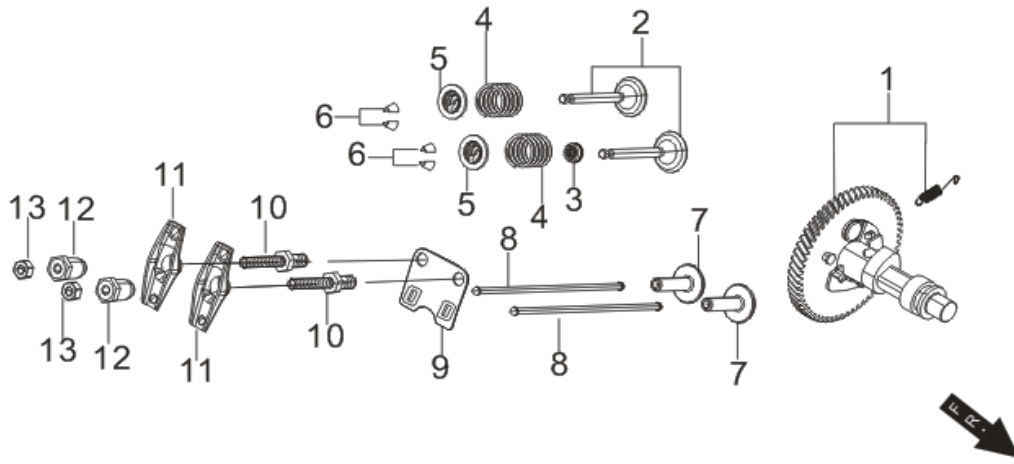
FIG.5 RING SET,OIL / ROD,CRANKSHAFT CONNETING (E05)



REF.NO.	PARTNO	DESCRIPTION	Q'TY
E05-1	13200-Z140210-00A9	RING ASSY, PISTON	1
E05-2	13122-Z010110-00A0	CLIP, PISTON PIN	2
E05-3	13111-Z140220-00A9	PISTON	1
E05-4	13121-Z010110-00A0	PIN, PISTON	1
E05-5	13010-Z440210-00A9	ROD, CONNECTING	1

ACCESS 2200 XL

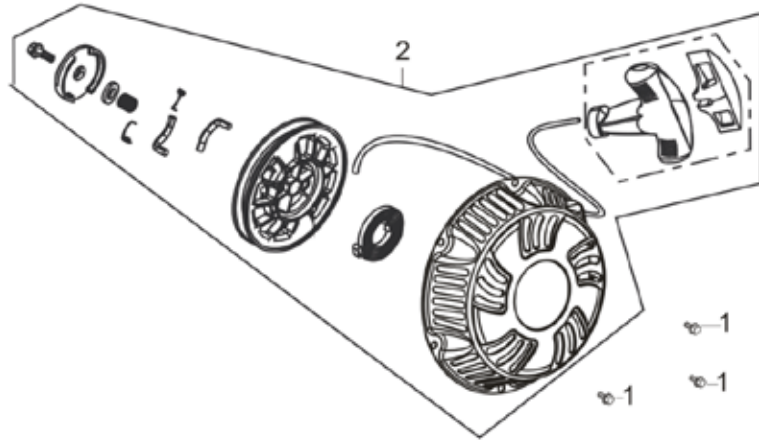
FIG.6 TRAIN,VALVE / CAMSHAFT SUBASSEMBLY (E06)



REF.NO.	PARTNO	DESCRIPTION	Q'TY	
E06-1	14200-Z530210-00A9	CAMSHAFT ASSY.	1	
E06-2	12110-Z810120-00A9	VALVES SET	1	
E06-3	12101-Z810210-00A0	GUIDE, SEAL	1	
E06-4	12103-Z010110-00A0	SPRING, VALVE	2	
E06-5	12112-Z810210-00A0	SEAT, VALVE SPRING	2	
E06-6	12109-Z810110-00A0	CLAMP, VALVE LOCK	4	
E06-7	14081-Z040110-00A0	TAPPET, VALVE	2	
E06-8	14071-Z440110-00A0	LIFTER, VALVE	2	
E06-9	14090-Z010110-00A0	PLATE SUBASSEMBLY, LIFTER STOPPER	1	
E06-10	14313-Z010110-00A0	BOLT, ROCKER SHAFT	2	
E06-11	14311-Z010110-00A0	ROCKER, VALVE	2	
E06-12	14314-Z010110-00A0	NUT, VALVE ADJUSTING	2	
E06-13	14312-Z010110-00A0	NUT, VALVE LOCK	2	

ACCESS 2200 XL

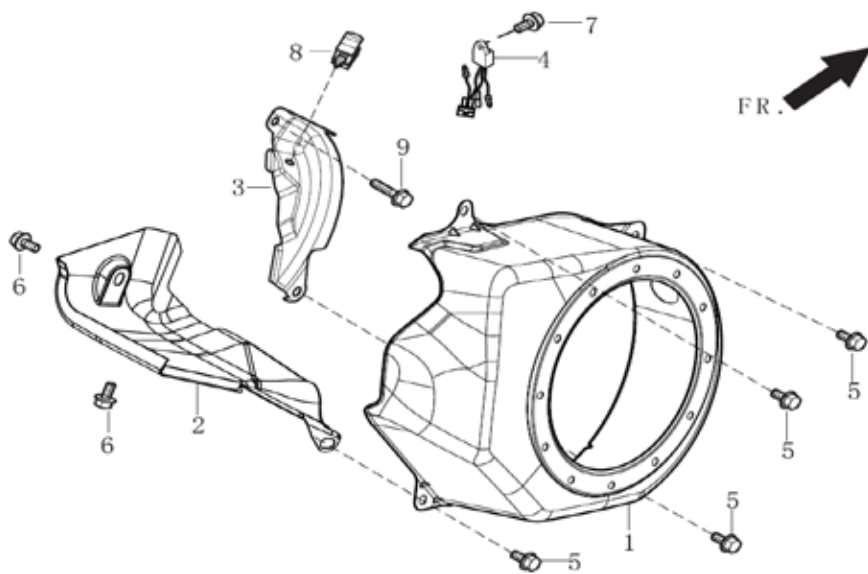
FIG.7 STARTER,RECOIL (E07)



REF.NO.	PARTNO	DESCRIPTION	Q'TY	
E07-1	90001-0608-01A0	BOLT	3	
E07-2	28200-Z440110-H3A0	STARTER ASSY, RECOIL	1	

ACCESS 2200 XL

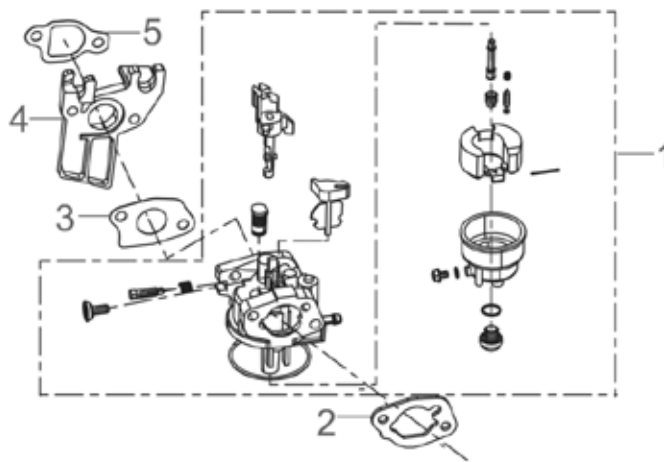
FIG.8 SHROUD / SHIELD,LOWER (E08)



REF.NO.	PARTNO	DESCRIPTION	Q'TY	
E08-1	28110-Z010410-H3A0	SHROUD	1	
E08-2	19304-Z010610-00A0	SHROUD, CYLINDER BODY	1	
E08-3	19340-Z010510-00A0	SHIELD,LOWER	1	
E08-4	37050-Z010310-00A0	PROTECTOR, OIL	1	
E08-5	90001-0612-01A0	BOLT	4	
E08-6	90001-0610-01A0	BOLT	2	
E08-7	90001-0610-01A0	BOLT	1	
E08-8	90740-Z010110-00A0	COLLAR	1	
E08-9	90001-0616-01A0	BOLT	1	

ACCESS 2200 XL

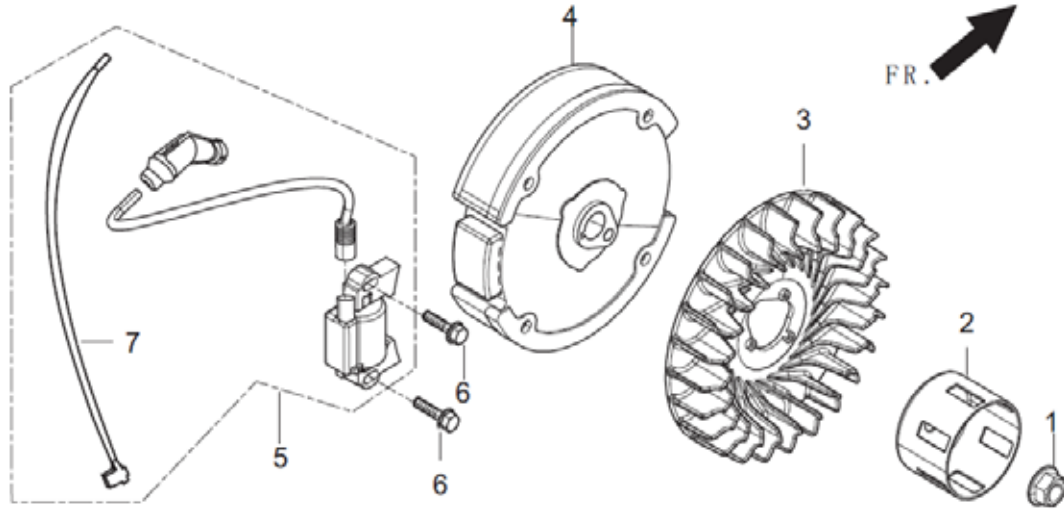
FIG.9 CARBURETOR ASSY. (E09)



REF.NO.	PARTNO	DESCRIPTION	Q'TY	
E09-1	16100-Z530710-00A9	CARBURETOR ASSY.	1	
E09-2	17001-Z010110-00A0	GASKET, AIR CLEANER	1	
E09-3	16001-Z010110-00A0	GASKET, CARBURETOR	1	
E09-4	16003-Z010110-00A0	PLATE, CARBURETOR INSULATOR	1	
E09-5	16002-Z050110-00A0	GASKET, CARBURETOR INSULATOR	1	

ACCESS 2200 XL

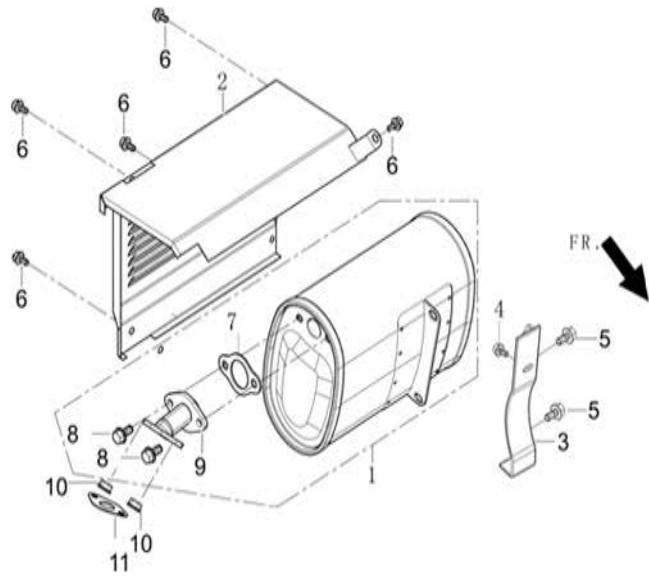
FIG.10 FLYWHEEL / IMPELLER / STARTER PULLEY / IGNITION COIL (E10)



REF.NO.	PARTNO	DESCRIPTION	Q'TY
E10-1	13501-Z010110-00A0	NUT, FLYWHEEL	1
E10-2	28002-Z010310-00A0	PULLEY,STARTER	1
E10-3	19352-Z440110-00A0	IMPELLER	1
E10-4	13510-Z440410-00A0	FLYWHEEL SUBASSEMBLY	1
E10-5	30400-Z440410-01A0	COIL, IGNITION	1
E10-6	90001-0625-01A0	BOLT	2

ACCESS 2200 XL

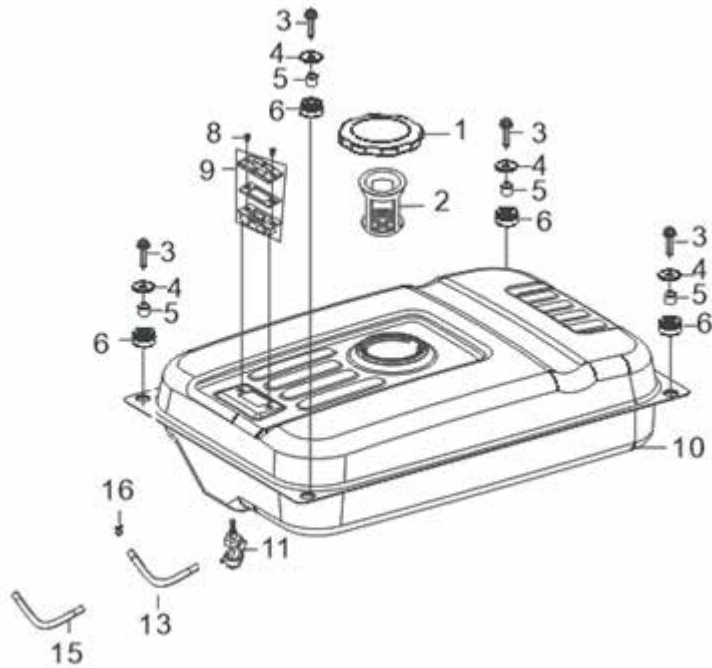
FIG.13 MUFFLER ASSY. (F02)



REF.NO.	PARTNO	DESCRIPTION	Q'TY	
F02-1	18100-Y020820-00A0	MUFFLER ASSY.	1	
F02-2	18130-Y020110-H3A0	COVER, MUFFLER OUTER	1	
F02-3	18030-Y020110-H3A0	BRACKET,MUFFLER	1	
F02-4	90001-0612-01A0	BOLT	1	
F02-5	90001-0816-01A0	BOLT	2	
F02-6	90007-0612-A1A0	BOLT	5	
F02-10	90303-0800-31A0	NUT	2	
F02-11	18001-Z440110-00A0	GASKET, EXHAUST OUTLET	1	

ACCESS 2200 XL

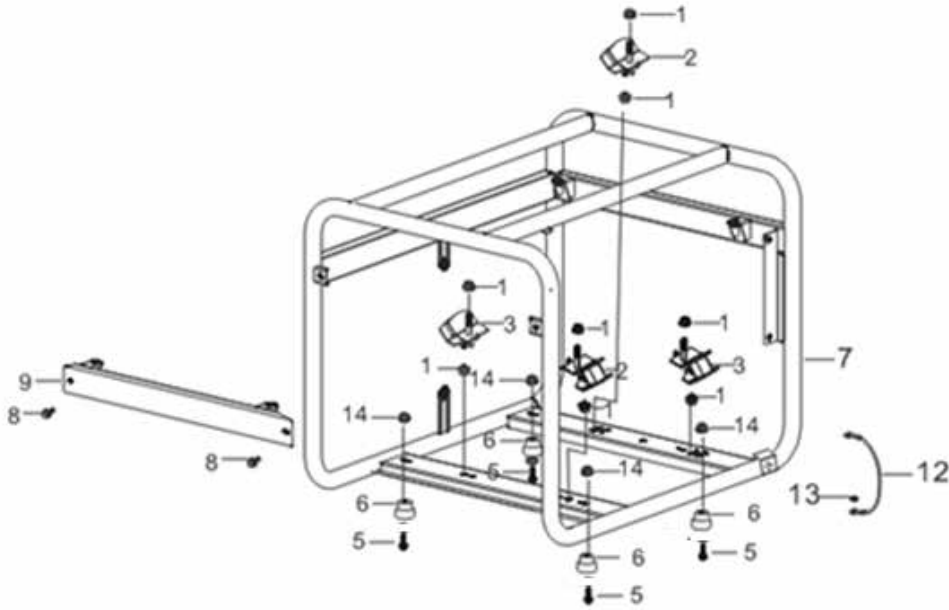
FIG.14 TANK, FUEL (F03)



REF.NO.	PARTNO	DESCRIPTION	Q'TY	
F03-1	16730-Y020130-H7A0	COVER, FUEL TANK	1	
F03-2	16652-Y020120-00A0	STRAINER□FUEL	1	
F03-3	90007-0625-A3A0	BOLT	4	
F03-4	90408-Y020110-00A0	WASHER□ FLAT	4	
F03-5	90683-Y020110-00A0	BUSH	4	
F03-6	16601-Y020120-00A0	SLEEVE, FUEL TANK RUBBER	4	
F03-8	90104-0512-51A0	BOLT	2	
F03-9	37200-Y020120-H3A0	LEVELER ASSY, OIL	1	
F03-10	16620-Y430120-H3AP	TANK, FUEL	1	
F03-11	16750-Y020210-00A0	COCK ASSY, FUEL	1	
F03-13	90686-Z010810-00A0	TUBE, FUEL	1	
F03-15	30431-Y020110-00A0	JACKET, RUBBER	1	
F03-16	90685-Z030220-00A0	CLAMP	1	

ACCESS 2200 XL

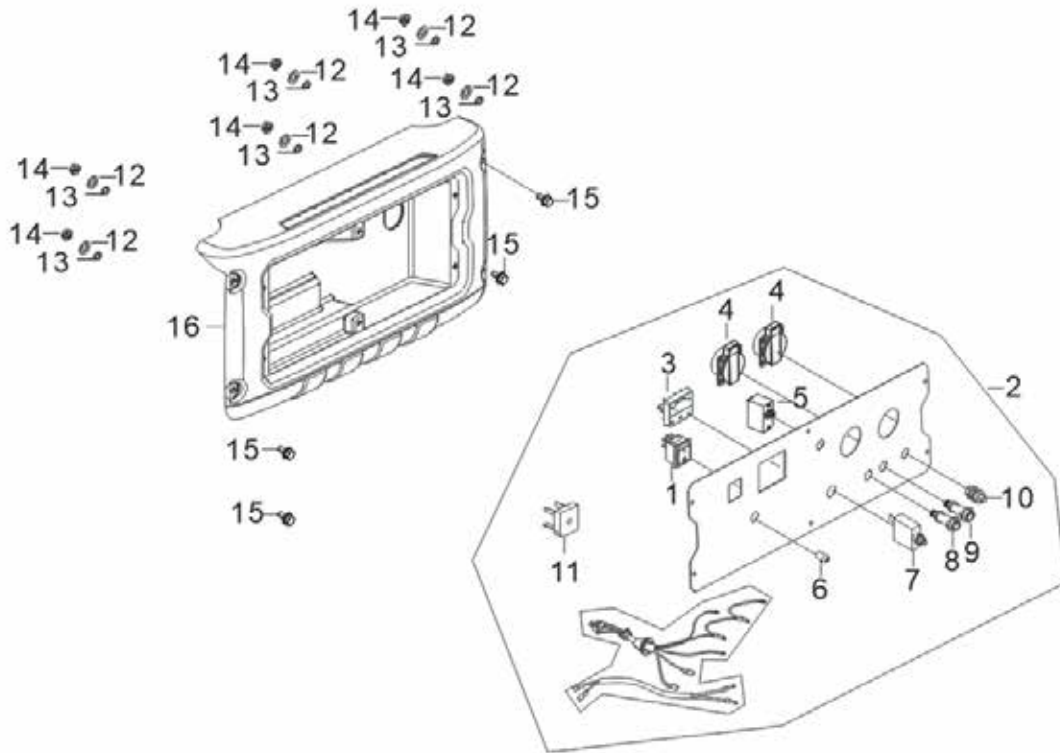
FIG.15 FRAME, ENGINE (F04)



REF.NO.	PARTNO	DESCRIPTION	Q'TY
F04-1	90305-0800-31A0	NUT	8
F04-2	51005HY020120-00A0	CUSHION, ENGINE FRAME	2
F04-3	51011HY020120-00A0	CUSHION, ENGINE FRAME RIGHT	2
F04-5	90001-0612-03A0	BOLT	4
F04-6	51014HY020120-00A0	SEAT, ENGINE FRAME SHOCK ABSORPTION	4
F04-7	51100-Y2U0320-H7A0	FRAME ASSY, ENGINE	1
F04-8	90007-0612-A3A0	BOLT	2
F04-9	51150-Y1G0110-H7A0	CROSSPIECE SUBASSEMBLY	1
F04-12	30009-Y730210-00A0	GROUNDING	1
F04-13	90415-0600-Z1A0	WASHER,SERRATED LOCK EXTERNAL TEETH	1
F04-14	90327-0600-33A0	NUT	4

ACCESS 2200 XL

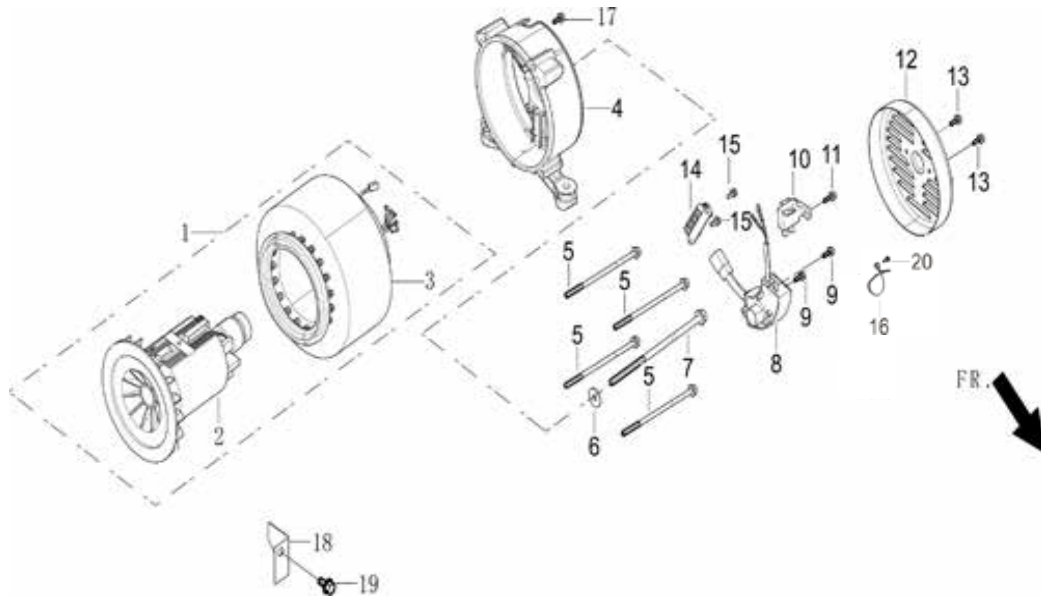
FIG.16 PANEL SUBASSEMBLY, CONTROL (F05)



REF.NO.	PARTNO	DESCRIPTION	Q'TY	
F05-1	35160-Y020110-00A0	SWITCH SUBASSEMBLY	1	
F05-2	35610-Y2U0510-H3A0	PANEL SUBASSEMBLY, CONTROL	1	
F05-3	37114-Y280110-00A0	VOTMETER	1	
F05-4	35614-Y020110-00A0	SOCKET SUBASSEMBLY, POWER SUPPLY	2	
F05-5	35645-Y020110-00A0	BREAKER, SINGLE-POLE CIRCUIT	1	
F05-6	37108-Y920110-00A0	oil lamp	1	
F05-7	31234-Y020110-00A0	PROTECTOR, OVERCURRENT	1	
F05-8	35633-Y020110-00A0	TERMINAL, POSITIVE ELECTRODE	1	
F05-9	35634-Y020110-00A0	TERMINAL, NEGATIVE ELECTRODE	1	
F05-10	35629-Y2U0510-00A0	TERMINAL SUBASSEMBLY, GROUNDING	1	
F05-11	35621-Y020110-00A0	BRIDGE, RECTIFICATION	1	
F05-12	90408-0400-E1A0	WASHER □ FLAT	6	
F05-13	90403-0400-01A0	WASHER □ FLAT	6	
F05-14	90305-0400-71A0	NUT	6	
F05-15	90007-0616-A1A0	BOLT	4	
F05-16	35680-Y130110-Q2A0	SEAT, PANEL	1	

ACCESS 2200 XL

FIG.17 ROTOR/STATOR (F06)



REF.NO.	PARTNO	DESCRIPTION	Q'TY	
F06-1	31300-Y021310-00A0	MOTOR ASSY.	1	
F06-4	30021-Y020310-00A0	BRACKET, MOTOR	1	
F06-5	30048-Y020120-00A0	BOLT □ STATOR	4	
F06-6	90408-Y020210-00A0	WASHER □ FLAT	1	
F06-7	30049-Y020120-00A0	BOLT □ ROTOR	1	
F06-8	30060-Y025110-00A0	REGULATOR, VOLTAGE	1	
F06-9	90001-0512-01A0	BOLT	2	
F06-10	31320-Y020120-00A0	BRUSH SUBASSEMBLY, CARBON	1	
F06-11	90001-0512-01A0	BOLT	1	
F06-12	30022-Y020110-H3A0	COVER, MOTOR TAIL	1	
F06-13	90001-0512-01A0	BOLT	2	
F06-14	31303HY020110-00A0	BLOCK, TERMINAL	1	
F06-15	90001-0512-01A0	BOLT	2	
F06-16	90727-Y020110-00A0	BAND	1	
F06-17	90001-0512-01A0	BOLT	1	
F06-18	30023-Y020110-00A0	STOPPER, MOTOR RIGHT COVER	1	
F06-19	90007-0612-A1A0	BOLT	1	
F06-20	90001-0512-01A0	BOLT	1	

www.wormsentreprises.com



ZAC de Lamirault
39 rue de Lamirault, 77090 Collégien, FRANCE
TEL. +33 (0) 1 64 76 29 50
FAX +33 (0) 1 64 76 29 99

Service SAV et Garantie
After Sales and Warranty Service
TEL. +33 (0) 1 64 76 29 80
FAX +33 (0) 1 64 76 29 88